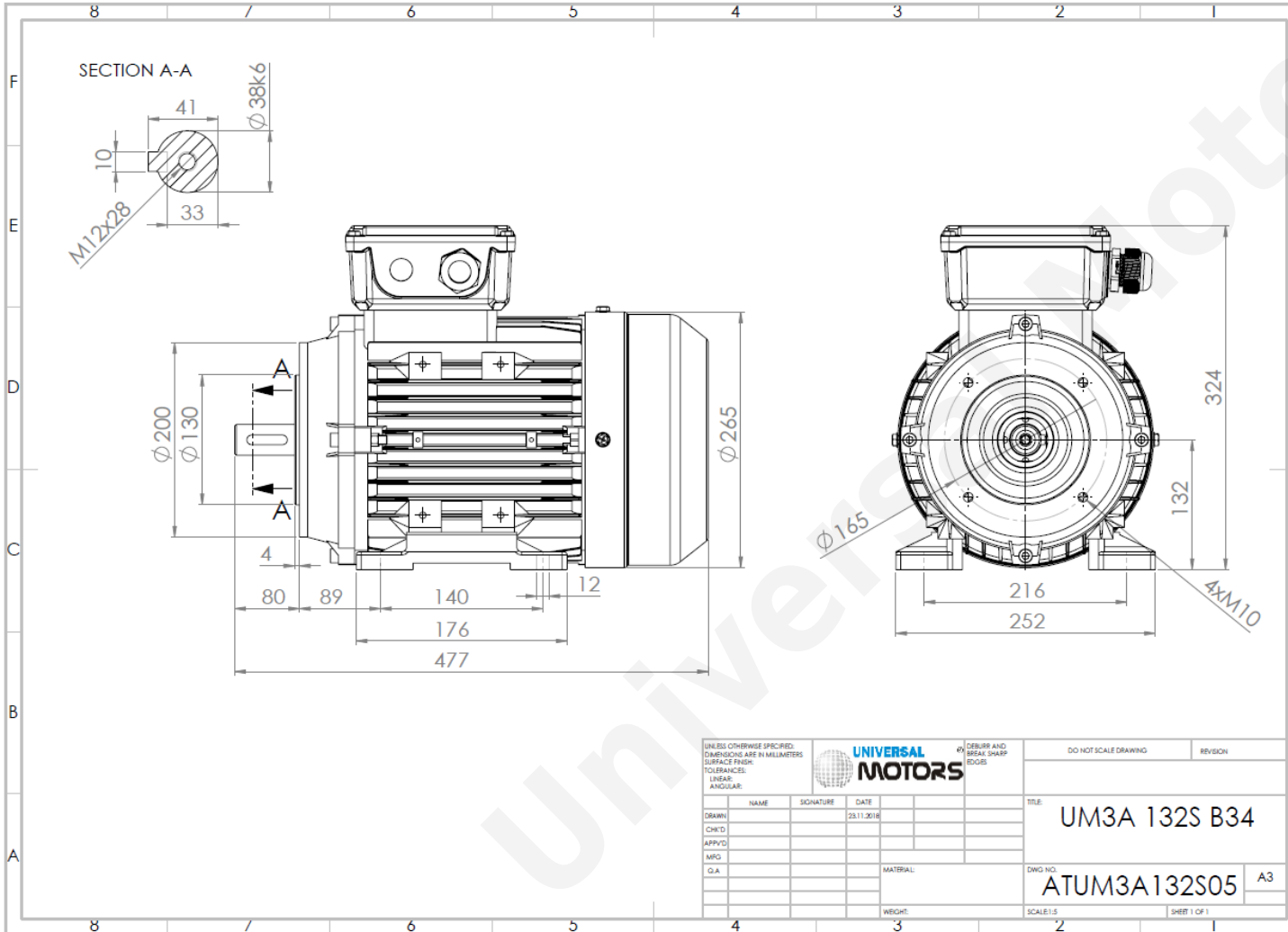




# TECHNICAL DATA

Three Phase Electric Motors - Aluminum Frame  
 PE31 132S2-2  
 7.5 kW / 10 Cv  
 2915 RPM



Motor type:	<b>PE31 132S2-2</b>
Output:	<b>7.5 kW / 10 Cv</b>
Speed (min <sup>-1</sup> ):	<b>2915 RPM</b>
Frequency:	<b>50 Hz</b>
Voltage:	<b>400 V</b>
Current:	<b>13.5 A</b>
Power factor (Cos Ø):	<b>0.89</b>
Poles:	<b>2</b>
Insulation class:	<b>F</b>
Temperature rise Class:	<b>B</b>
Efficiency 50%:	<b>88.3 %</b>
Efficiency 75%:	<b>89.2 %</b>
Efficiency 100%:	<b>90.1 %</b>
Torque:	<b>24.6 N.m</b>
Tstarting/Tnominal:	<b>2.2</b>
Istarting/Inominal:	<b>7.8</b>
Tmaximum/Tnominal:	<b>2.3</b>
Noise:	<b>85 Db(A)</b>
Weight:	<b>52 Kg</b>
Bearing DE:	<b>6308 2Z C3</b>
Bearing NDE:	<b>6308 2Z C3</b>

UNLESS OTHERWISE SPECIFIED, DIMENSIONS ARE IN MILLIMETERS				UNIVERSAL MOTORS	DO NOT SCALE DRAWING	REVISION
SURFACE FINISH:						
TOLERANCES:				TITLE: UM3A 132S B34		
LINEAR:				DWG NO. ATUM3A132S05		
ANGULAR:				SCALE: 1:5		
NAME	SIGNATURE	DATE	MATERIAL:	SHEET 1 OF 1		
DRAWN		23.11.2018	WEIGHT:			
CHK'D						
APP'VD						
MFG						
Q.A.						

Regime - S1

Altitude - 1000m

Environment Temperature - 40°C

## CONTACTS:

UNIVERSAL MOTORS Tel: +351 252 299 080  
 Rua de São Brás, 745 Fax: +351 252 299 089  
 4480-782 VILA DO CONDE Mail: [geral@universalmotors.pt](mailto:geral@universalmotors.pt)

\* References applied only in the UK